


Compak

PRODUCT SHEET



Product certified by: 

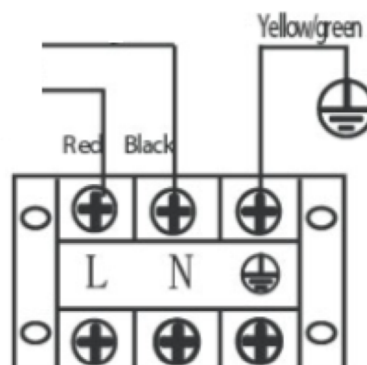


FEATURES

Model	KHPA2 16 190S	KHPA2 23 300S
Heating capacity ¹	1,62 kW	2,30 kW
Heating power input ¹	0,42 kW	0,53 kW
Tank volume	168 L	272 L
Air flow	270 m ³ /h	414 m ³ /h
Sound pressure	36,60 dB(A)	38,20 dB(A)
Working weight	277 kg	406 kg
Temperature range outlet water	70°C	65°C (+70°C anti-legionella mode)
Temperature range outdoor	-7°C - 43°C	-7°C - 43°C
Hydraulic connections	Ø3/4"	Ø3/4"
Available pressure ESP	25 Pa	45 Pa
Backup heater	3 kW	3 kW
Exchanger	Aluminium coil	
Tank	Enamelled	
Solar coil surface	1,10 m ²	1,30 m ²
Power supply	220-240 V / 1 / 50 Hz	
Power wiring	4 mm	4 mm
Max. overcurrent protection / fuse	40 A / 30 A	40 A / 30 A
F.L.A. (Current absorbed at maximum allowed conditions)	16,10 A	16,50 A
M.I.C. (Maximum unit starting current)	28,70 A	40,20 A

¹ Outdoor temperature 15/12°C (DB/WB), water inlet 15°C, water outlet 45°C

WIRING DIAGRAM

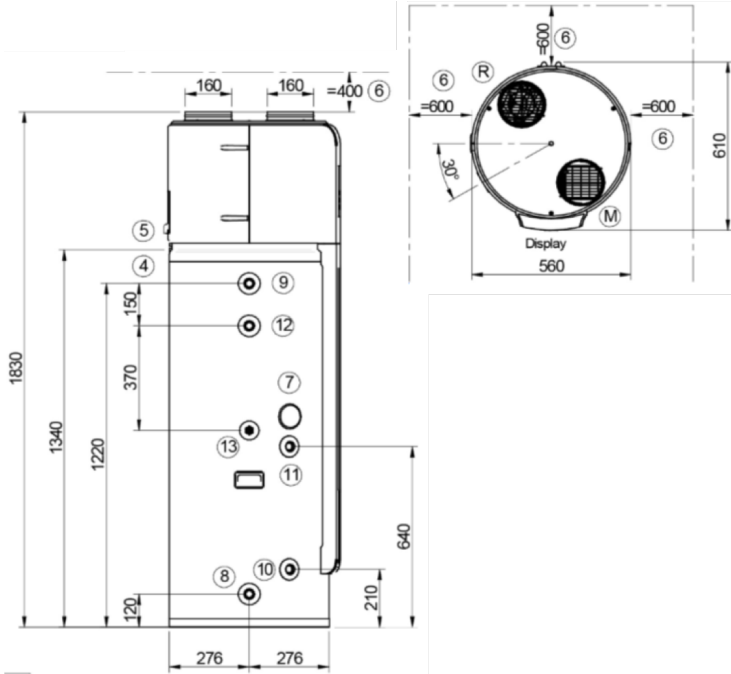


NOTES:

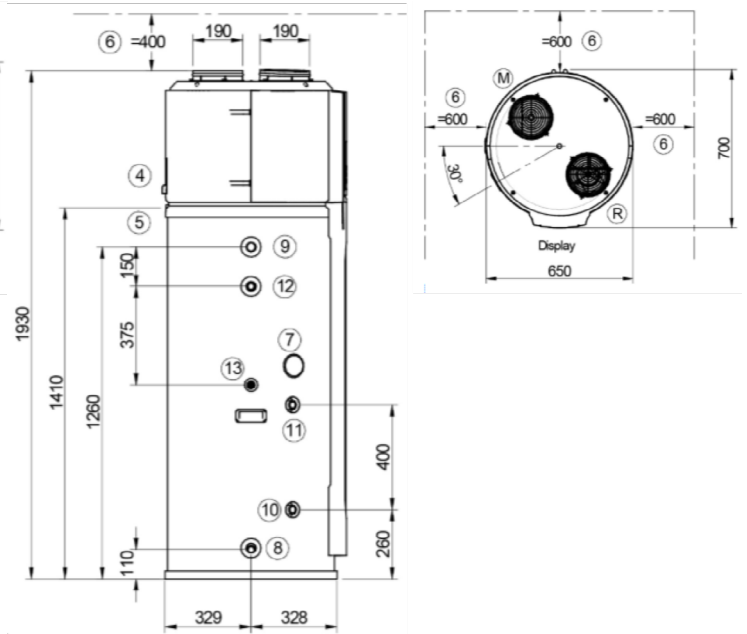
- (1) The data and specifications present in this sheet may vary without notice.
 (2) The images on this sheet are indicative and may be different from the final machine.

DIMENSIONS OF UNIT & SPACE FOR INSTALLATION

KHPA2 16 190S



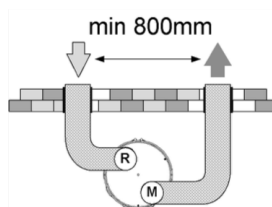
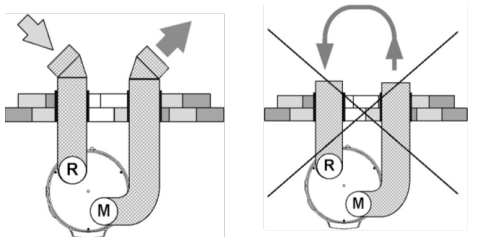
KHPA2 23 300S



1 Compressor compartment	6 Functional spaces	11 Solar output 3/4" H (only 300S)
2 Distribution panel	7 Magnesium anode	12 Solar recirculation 3/4" H (only 300S)
3 Unit keyboard	8 Water inlet 3/4" H	13 Solar probe holder
4 Power line input	9 Water outlet 3/4" H	R Air return
5 Condensate discharge	10 Solar entrance 3/4" H (only 300S)	M Air drive

RECOMMENDED CHANNELING OF AIR

KHPA2 16 190S



KHPA2 23 300S

