



Compak

PRODUCT SHEET

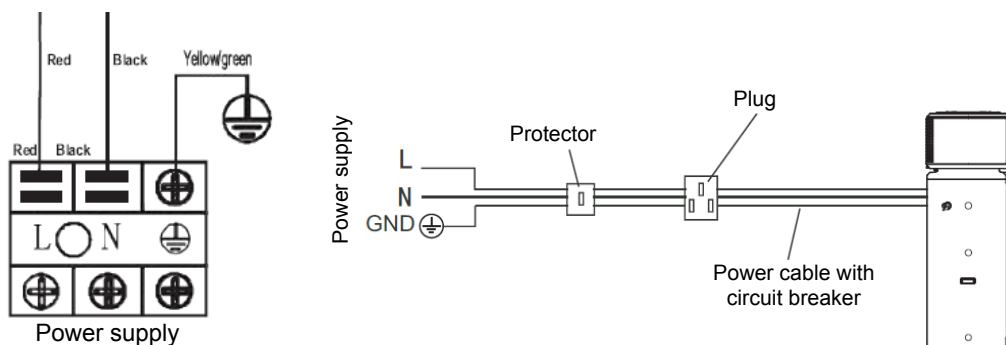

 Product certified by:  


FEATURES

Model	COMPAK KHP 15 190 ACS1	COMPAK KHP 35 300 ACS1
Heating capacity ¹	1,45 kW	3 kW
Heating power input ¹	0,38 kW	0,80 kW
Tank volume	190 L	280 L
Air flow	182/230/270 m ³ /h	312/355/414 m ³ /h
Sound pressure	41 dB(A)	45 dB(A)
Working weight	120 kg	175,50 kg
Temperature range water outlet	38°C - 70°C (up to +70°C during disinfection with electrical resistance)	38°C - 65°C (up to +70°C during disinfection with electrical resistance)
Temperature range ambient operating	-7°C - 43°C	-7°C - 43°C
Hydraulic connections	Ø3/4"	Ø3/4"
Backup heater	3 kW	3 kW
Exchanger	Copper tubing around the tank	
Power supply	220-240 V / 1 / 50 Hz	
Power wiring	3x4 mm	3x4 mm
Max. overcurrent protection	25 / 20 A	40 / 30 A

¹ Outdoor temperature 15/12°C (DB/WB), water inlet 15°C, water outlet 45°C

WIRING DIAGRAM

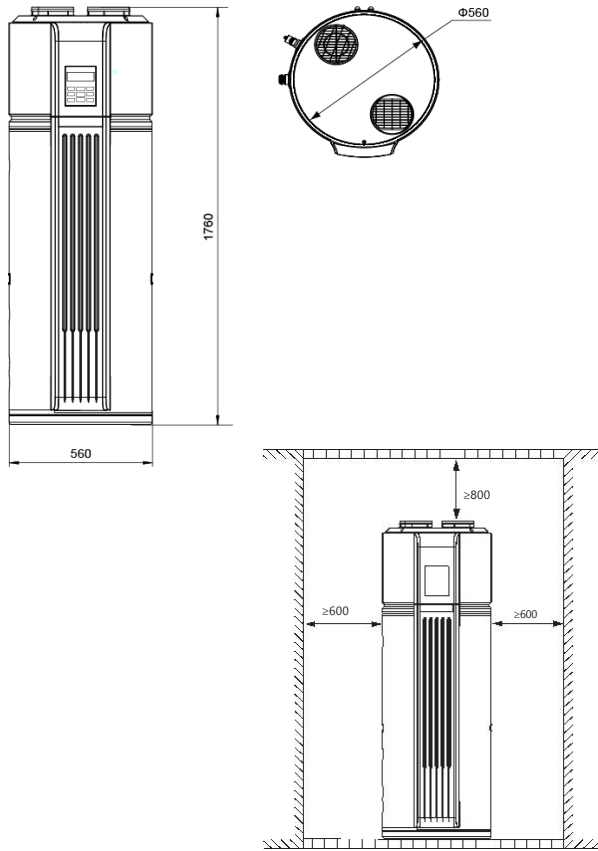


NOTES:

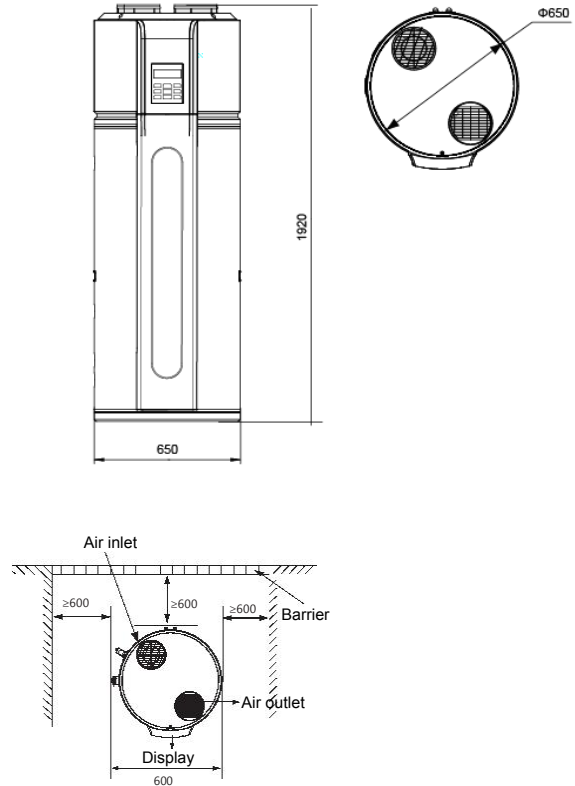
- (1) The data and specifications present in this sheet may vary without notice.
- (2) The images on this sheet are indicative and may be different from the final machine.

DIMENSIONS OF UNIT & SPACE FOR INSTALLATION

COMPAK KHP 15 190 ACS1

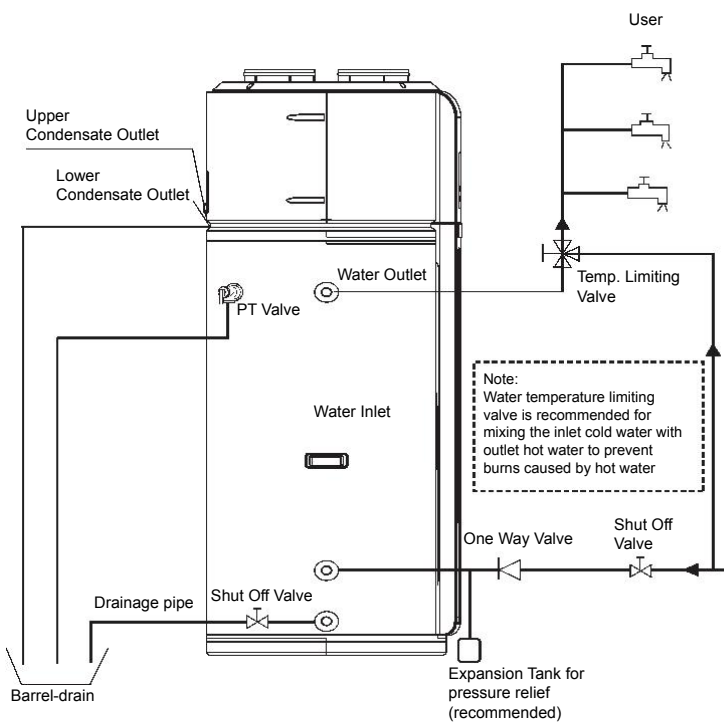


COMPAK KHP 35 300 ACS1



RECOMMENDED CHANNELING OF AIR

COMPAK KHP 15 190 ACS1



COMPAK KHP 35 300 ACS1

