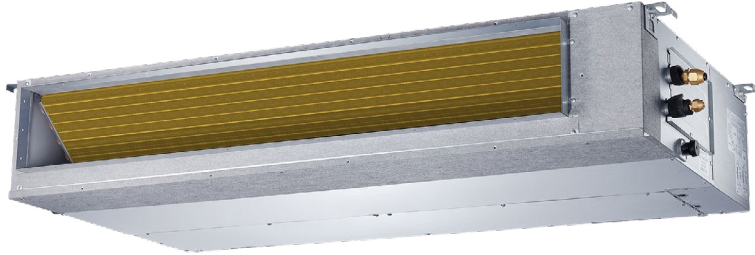


Ducts Multisystem

PRODUCT SHEET



KC-03.1 SPS
Standard controller

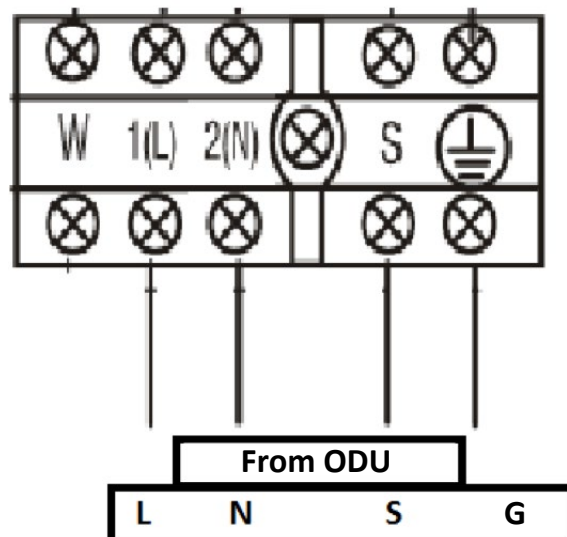
Product certified by: **CE**



FEATURES

Model	KPD-35 DR13 KPD-35 DR13-X	KPD-52 DR13 KPD-52 DR13-X
Cooling capacity	3,52 kW	5,28 kW
Heating capacity	3,81 kW	5,57 kW
Airflow	350/500/660 m ³ /h	420/670/870 m ³ /h
Max. static pressure	60 Pa	100 Pa
Sound pressure	29,80/33,50/36 dB(A)	26/29,80/35 dB(A)
Power supply	220-240 V / 1 / 50 Hz	
Communication wiring	(3+T)x2,50 mm ²	
Refrigerating pipes	Ø1/4" / Ø3/8"	Ø1/4" / Ø1/2"

WIRING DIAGRAM



NOTES:
(1) The data and specifications present in this sheet may vary without notice.
(2) The images on this sheet are indicative and may be different from the final machine.

DIMENSIONS & WEIGHT OF INDOOR UNIT

Model	Weight	Width	Height	Depth
KPD-35 DR13 KPD-35 DR13-X	17,80 kg	700 mm	200 mm	506 mm
KPD-52 DR13 KPD-52 DR13-X	24,40 kg	880 mm	210 mm	674 mm

