


# Double Flow Console Multisystem

## PRODUCT SHEET



KID-05 S  
Standard controller

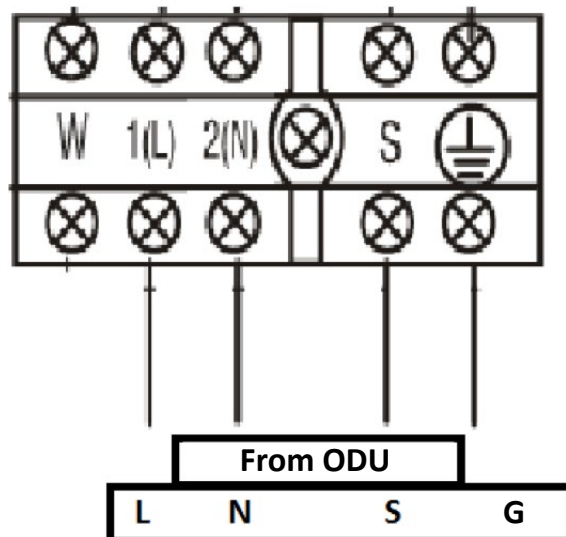
Product certified by: 



### FEATURES

Model	KSD-35 DR13	KSD-52 DR13
Cooling capacity	3,52 kW	4,84 kW
Heating capacity	3,81 kW	6,90 kW
Airflow	386/466/550 m <sup>3</sup> /h	400/480/560 m <sup>3</sup> /h
Sound pressure	33,50/38/41,50 dB(A)	36/39/45 dB(A)
Power supply	220-240 V / 1 / 50 Hz	
Communication wiring	(3+T)x2,50 mm <sup>2</sup>	(3+T)x2,50 mm <sup>2</sup>
Refrigerating pipes	Ø1/4" / Ø3/8"	Ø3/8" / Ø5/8"

### WIRING DIAGRAM



## DIMENSIONS & WEIGHT OF INDOOR UNIT

Model	Weight	Width	Height	Depth
<b>KSD-32 DR13</b>	14,60 kg	700 mm	600 mm	210 mm
<b>KSD-52 DR13</b>	14,70kg	700 mm	600 mm	210 mm

