


Casual Multisystem

PRODUCT SHEET



KIDC-05 S
Standard controller

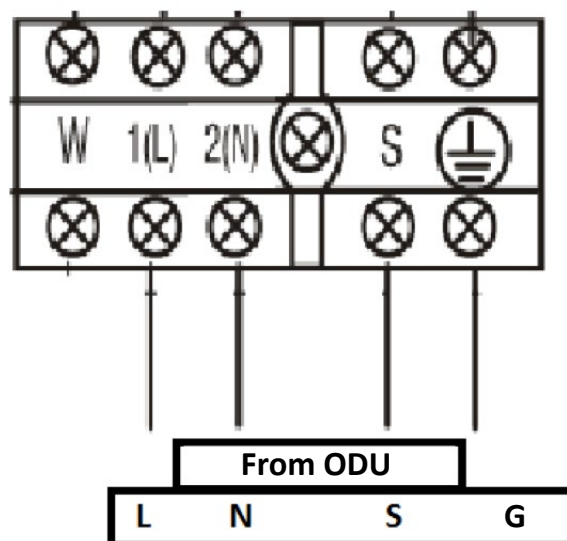
Product certified by: 



FEATURES

Model	KAY-CF 26 DR10	KAY-CF 35 DR10	KAY-CF 52 DR10	KAY-CF 71 DR10
Cooling capacity	2,64 kW	3,52 kW	5,28 kW	7,03 kW
Heating capacity	2,93 kW	3,81 kW	5,57 kW	7,33 kW
Airflow	325/360/466 m ³ /h	314/430/540 m ³ /h	540/680/840 m ³ /h	662/817/980 m ³ /h
Sound pressure	25 dB(A)	25 dB(A)	26 dB(A)	36 dB(A)
Power supply	220-240 V / 1 / 50 Hz			
Communication wiring	(3+T)x2,50 mm ²			
Refrigerating pipes	Ø1/4" / Ø3/8"	Ø1/4" / Ø3/8"	Ø1/4" / Ø1/2"	Ø3/8" / Ø5/8"

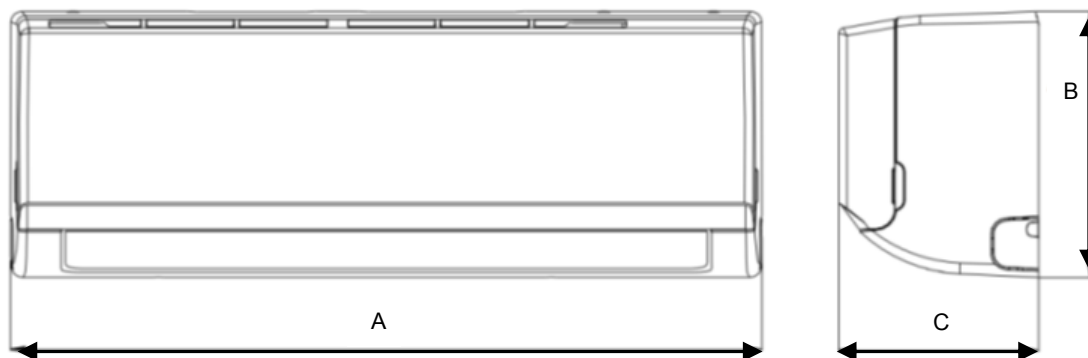
WIRING DIAGRAM



NOTES:
(1) The data and specifications present in this sheet may vary without notice.
(2) The images on this sheet are indicative and may be different from the final machine.

DIMENSIONS & WEIGHT OF INDOOR UNIT

Model	Weight	A	B	C
KAY-CF 26 DR10	7,60 kg	805 mm	285 mm	194 mm
KAY-CF 35 DR10	7,60 kg	805 mm	285 mm	194 mm
KAY-CF 52 DR10	10 kg	957 mm	302 mm	213 mm
KAY-CF 71 DR10	12,30 kg	1.040 mm	327 mm	220 mm



INSTALLATION

