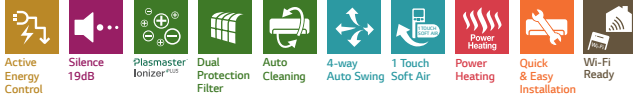


# New Deluxe INVERTER V

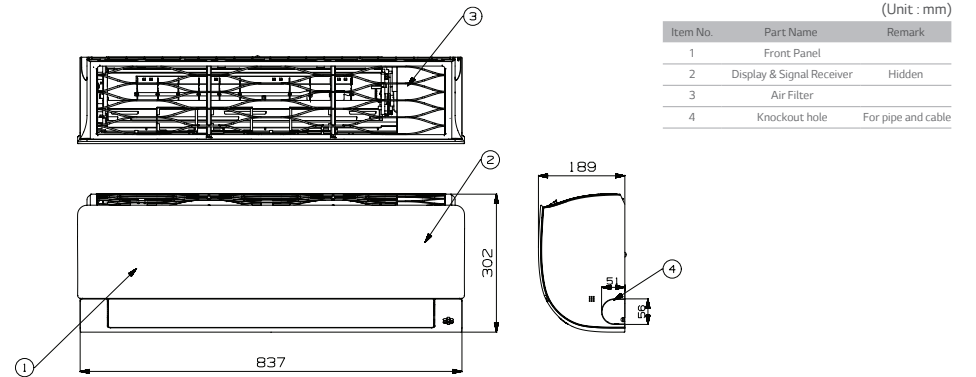
9K  
D09CM  
12K  
D12CM



Unit			9K	12K	
Model Indoor Unit			ASNW096J1R0	ASNW126J1R0	
Model Outdoor Unit			ASUW096J1R0	ASUW126J1R0	
Indoor Unit					
Capacity	Cooling	Min	W	890	890
		Rated	W	2500	3500
		Max	W	3700	4040
	Heating +7°C	Min	W	890	890
		Rated	W	3200	4000
		Max	W	5000	6000
Heating -7°C	Rated	W	3200	3800	
	Cooling	Rated	W	556	898
	Heating +7°C	Rated	W	712	976
Power Input	EER		W/W	4.5	3.9
			W/W	7.7	7.6
			W/W	2.5	3.5
Annual Energy Consumption	P design C		kWh	4.5	4.1
			kWh	4.6	4.6
			kWh	2.8	3.2
Sound Pressure	Cooling		kWh	A++	A++
			kWh	A++	A++
			kWh	114	162
Sound Power	Heating		kWh	853	974
			kWh	19	19
			kWh	24	24
Air Flow Rate	Cooling		kWh	35	35
			kWh	40	40
			kWh	24	24
Dehumidification Rate	Heating		kWh	35	35
			kWh	40	40
			kWh	24	24
Running Current	Cooling		kWh	59	59
			kWh	3.5	3.5
			kWh	5.5	5.5
Starting Current	Heating		kWh	9	9
			kWh	11	11
			kWh	13	13
Power Supply	Cooling		kWh	6.5	6.5
			kWh	9	9
			kWh	11	11
Circuit Breaker	Heating		kWh	1.1	1.3
			kWh	2.5	4.0
			kWh	6.0	6.0
Power Supply Cable	Cooling		kWh	3.2	4.3
			kWh	8.0	8.0
			kWh	2.5	4
Power & Transmission Cable	Heating		kWh	4.3	4.3
			kWh	1 / 220-240 / 50	1 / 220-240 / 50
			kWh	15	15
Dimension	Cooling		kWh	3*1.0	3*1.0
			kWh	4*1.0 (Including Earth)	4*1.0 (Including Earth)
			kWh	837*302*189	837*302*189
Net Weight	Cooling		kWh	8.5	8.5
			kWh	20	20
			kWh	20	20
Fan Motor Output	Cooling		kWh	15-48	15-48
			kWh	15-24	15-24
			kWh	47	47
Outdoor Unit	Heating		kWh	48	48
			kWh	65	65
			kWh	35	35
Operation Range	Cooling		kWh	3	3
			kWh	20	20
			kWh	10	10
Sound Pressure	Heating		kWh	6.35	6.35
			kWh	(1/4)	(1/4)
			kWh	9.52	9.52
Sound Power	Cooling		kWh	(3/8)	(3/8)
			kWh	21.5	21.5
			kWh	0.85	0.85
Air Flow Rate	Heating		kWh	R410A	R410A
			kWh	950	950
			kWh	20	20
Piping	Cooling		kWh	43	43
			kWh	1P Rotary	1P Rotary
			kWh	34.3	34.3
Piping Connection	Heating		kWh	770*545*288	770*545*288
			kWh	770*545*288	770*545*288
			kWh	770*545*288	770*545*288
Refrigerant	Cooling		kWh	770*545*288	770*545*288
			kWh	770*545*288	770*545*288
			kWh	770*545*288	770*545*288
Fan Motor Output	Heating		kWh	770*545*288	770*545*288
			kWh	770*545*288	770*545*288
			kWh	770*545*288	770*545*288
Compressor Type	Cooling		kWh	770*545*288	770*545*288
			kWh	770*545*288	770*545*288
			kWh	770*545*288	770*545*288
Net Weight	Heating		kWh	770*545*288	770*545*288
			kWh	770*545*288	770*545*288
			kWh	770*545*288	770*545*288
Dimension	Cooling		kWh	770*545*288	770*545*288
			kWh	770*545*288	770*545*288
			kWh	770*545*288	770*545*288

\* Specification, design and feature are subject to change without prior notice.

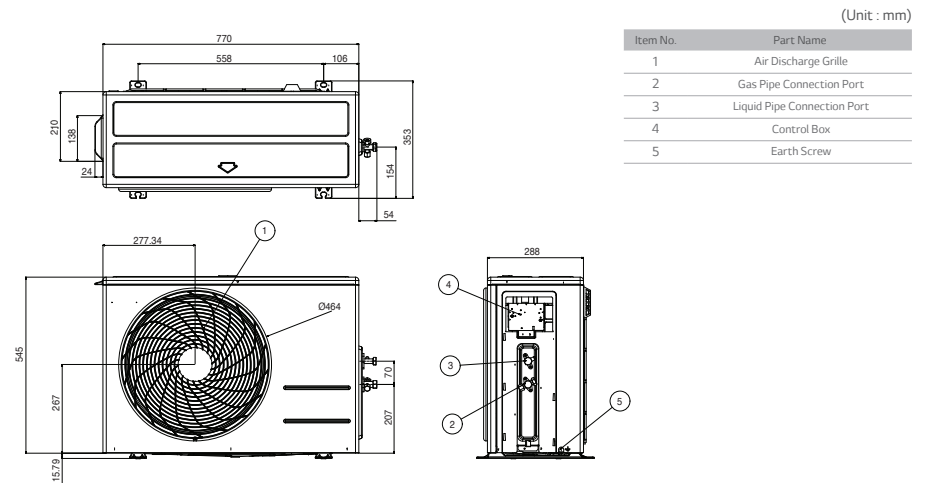
## ASNW096J1R0 / ASNW126J1R0



(Unit : mm)

Item No.	Part Name	Remark
1	Front Panel	
2	Display & Signal Receiver	Hidden
3	Air Filter	
4	Knockout hole	For pipe and cable

## ASUW096J1R0 / ASUW126J1R0



(Unit : mm)

Item No.	Part Name
1	Air Discharge Grille
2	Gas Pipe Connection Port
3	Liquid Pipe Connection Port
4	Control Box
5	Earth Screw

\* This product contains Fluorinated greenhouse gases (R410A).